

Features

- **Dazzling Black Glass Ceramic Surface** is crafted with environmentally friendly, fully recyclable Schott Ceran®.
- **Sleek Stainless Steel Rotary Control Knobs** provide precise heat control for every burner. A 2,500-Watt power burner brings large pots of water to a boil in only a few minutes.
- **Hot Surface Indicator Lights** keep you safe and aware with just a glance.

Overall Dimensions

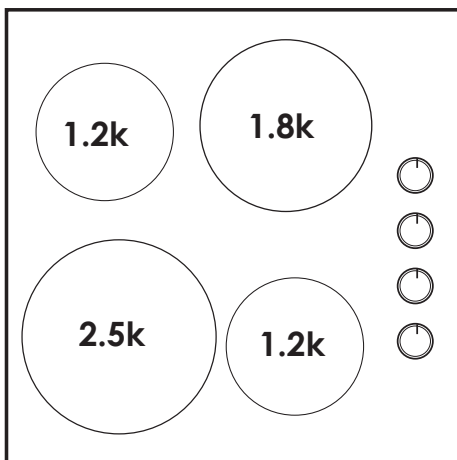
Width of Glass	24" / 61 cm
Depth of Glass	21 8/16" / 54.6 cm
Height with Conduit	3 2/16" / 8 cm
Height without Conduit	2 1/16" / 5.2 cm

Cutout Dimensions

Width	22 1/16" / 56.1 cm
Depth	19 5/16" / 49 cm
Height	3 2/16" / 8 cm

Power Requirements

Voltage	240V
Amperage	40 amps
Hertz	60 Hz
Power Cord Type	Hardwire
Power Cord Length	48" / 122 cm



Elements

Elements	Watts
Right Front	1,200
Right Rear	1,800
Left Front	2,500
Left Rear	1,200

Warranty

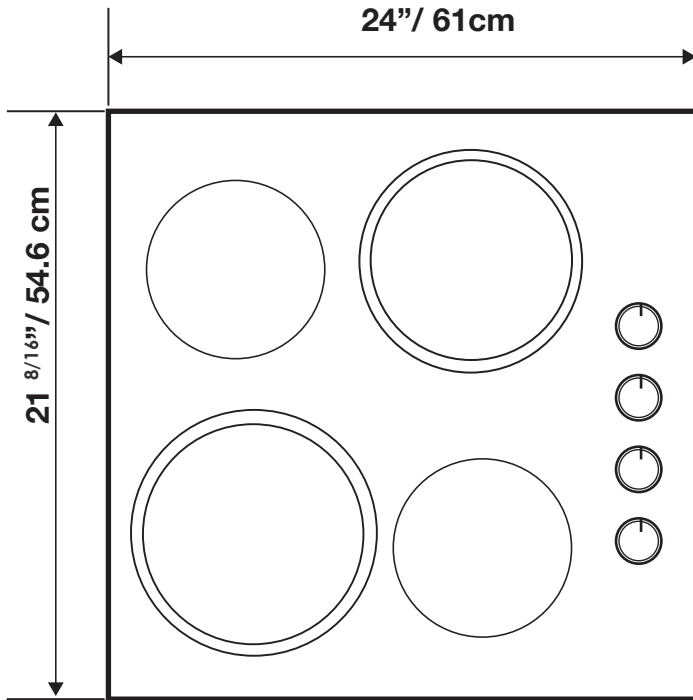
Length	1 Year
Type	Limited

F24CC4B

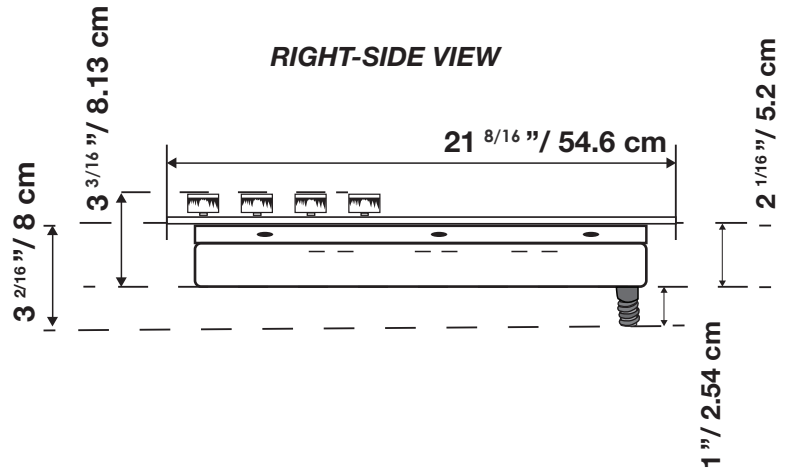
24" Electric Smoothtop Cooktop

FORTÉ

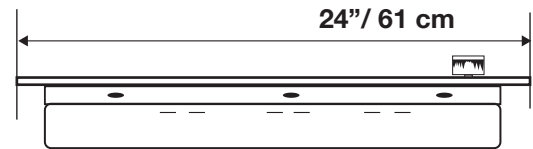
TOP



RIGHT-SIDE VIEW



FRONT-SIDE VIEW



COUNTERTOP CUTOUT

