

## 21 CU. FT. ALL REFRIGERATOR

F21ARESSS - STAINLESS STEEL / F21ARESWW - WHITE



### Product Dimensions

	Inches	CM
Actual Height	76 <sup>12</sup> / <sub>16</sub>	195
Height Not Including Hinge	76	193
Actual Width	32 <sup>11</sup> / <sub>16</sub>	83
Actual Depth	28 <sup>15</sup> / <sub>16</sub>	73.5
Depth Excluding Door	26	66
Depth with Door Open 90°	60 <sup>3</sup> / <sub>16</sub>	152.8

### Spill Proof

Spill-proof glass shelves retain liquid to the affected area, reducing cleaning efforts

### No Frost Technology

Prevents frost build-up on the inner walls, eliminating the need for periodic manual defrosting

### Adjustable Legs

Find your perfect fit with adjustable legs and easy-rolling wheels

### Garage-Ready

Keep your food frozen through volatile temperature changes

### Convertible

Conveniently convert between Refrigerator and Freezer, and Celcius and Fahrenheit

### Alarm Alerts

Temperature and door alarm prevent food from spoiling by immediately alerting you

### Offered in 2 colors



Stainless  
Steel

White



# 21 CU.FT. ALL REFRIGERATOR

F21ARESSS - STAINLESS STEEL  
F21ARESWW - WHITE

# FORTÉ



## CAPACITY

TOTAL CAPACITY 21 CU. FT. / 594.65 L

## TECHNICAL SPECIFICATIONS

CERTIFICATION	DOE
VOLTS/HERTZ	115 VAC / 60 HZ
ELECTRICAL REQUIREMENTS	3-PRONG OUTLET
YEARLY ELECTRICITY USE	540 KWH
WEIGHT	198.4 LBS / 90 KG
WARRANTY	1 YEAR LIMITED PARTS & SERVICE

## INTERIOR FEATURES

CABINET LINER	WHITE
NUMBER OF SHELVES	3 SPILL-PROOF GLASS
ADJUSTABLE SHELVES	NO
INTERIOR LIGHT	YES
ICE TRAY	NO

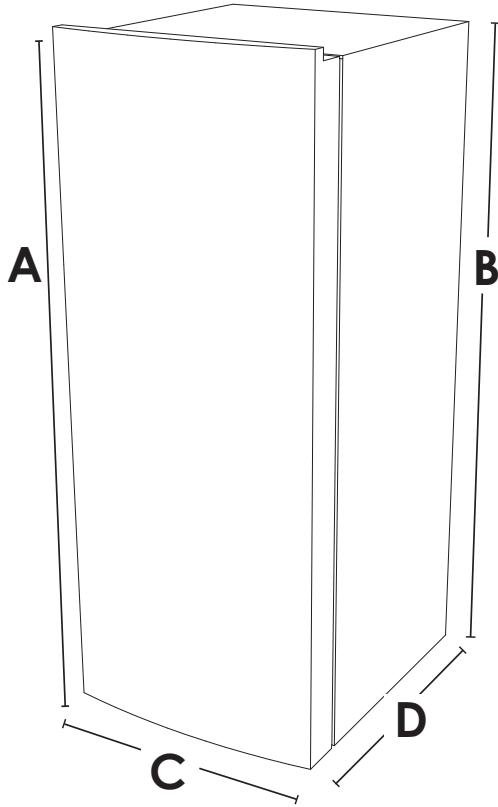
## EXTERIOR FEATURES

STYLE	SINGLE DOOR
BUILT-IN/FREESTANDING	FREESTANDING
DOOR SWING	RIGHT HINGE
HANDLES	RECESSED

# 21 CU.FT. ALL REFRIGERATOR

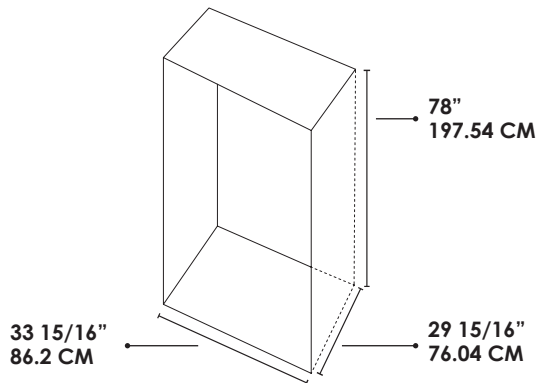
F21ARESSS - STAINLESS STEEL  
F21ARESWW - WHITE

# FORTÉ



POINT	DESCRIPTION	INCHES	CM
A	Actual Height	76 <sup>12</sup> / <sub>16</sub>	195
B	Height Not Including Hinge	76	193
C	Actual Width	32 <sup>11</sup> / <sub>16</sub>	83
D	Actual Depth	28 <sup>15</sup> / <sub>16</sub>	73.5
E	Depth Excluding Door	26	66
F	Depth with Door Open 90°	60 <sup>3</sup> / <sub>16</sub>	152.8

## RECOMMENDED CUT-OUT DIMENSIONS



## PLANNED DIMENSIONS

