

14.5 CU. FT. TOP MOUNTED REFRIGERATOR

F15TFRESWW - WHITE / F15TFRESSS - STAINLESS STEEL / F15TFRESBB - BLACK



Product Dimensions

	Inches	CM
Actual Height	66 ² / ₁₆	168
Height Not Including Hinge	65 ³ / ₁₆	165.6
Actual Width	27 ⁹ / ₁₆	70
Actual Depth	27 ⁹ / ₁₆	70
Depth Excluding Doors	24 ⁷ / ₁₆	62
Depth with Door Open 90°	53 ⁶ / ₁₆	135.5

No Frost

Prevents frost build-up on the inner walls, eliminating the need for periodic manual defrosting

Spacious Drawer

The humidity-controlled drawer provides ample space for keeping food crisp

Multi Air Flow System

Optimizes consistent airflow and humidity levels to keep your food fresh

Reversible Door

Set the door to open according to your preference whether it is from the left or the right

LED Lights

Find food quickly with bright interior LED lights

Offered in 3 colors



Stainless Steel



White



Black



14.5 CU.FT. TOP MOUNTED REFRIGERATOR

F15TFRESWW - WHITE
F15TFRESSS - STAINLESS STEEL
F15TFRESBB - BLACK

FORTÉ



CAPACITY

TOTAL CAPACITY	14.5 CU. FT. / 410 L
REFRIGERATION CAPACITY	11 CU. FT. / 310 L
FREEZER CAPACITY	3.5 CU. FT. / 100 L

TECHNICAL SPECIFICATIONS

ENERGY STAR	YES
CERTIFICATION	UL
VOLTS/HERTZ	115 VAC / 60 HZ
ELECTRICAL REQUIREMENTS	3-PRONG OUTLET
YEARLY ELECTRICITY USE	325 KWH
WEIGHT	187.4 LBS / 85 KG
WARRANTY	1 YEAR LIMITED PARTS & SERVICE

INTERIOR FEATURES

CABINET LINER	WHITE
NUMBER OF SHELVES	2 GLASS
ADJUSTABLE SHELVES	YES
INTERIOR LIGHT	YES
ICE TRAY	1 STANDARD

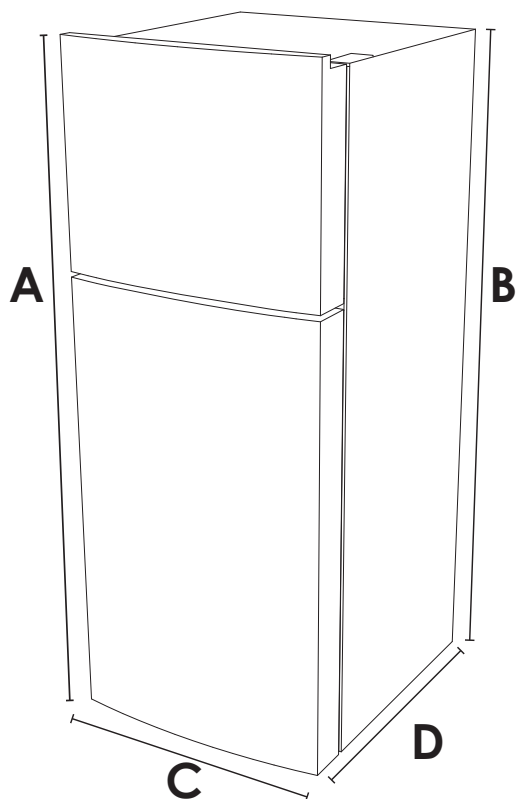
EXTERIOR FEATURES

STYLE	TWO DOOR
BUILT-IN/FREESTANDING	FREESTANDING
DOOR SWING	REVERSIBLE
HANDLES	RECESSED

14.5 CU.FT. TOP MOUNTED REFRIGERATOR

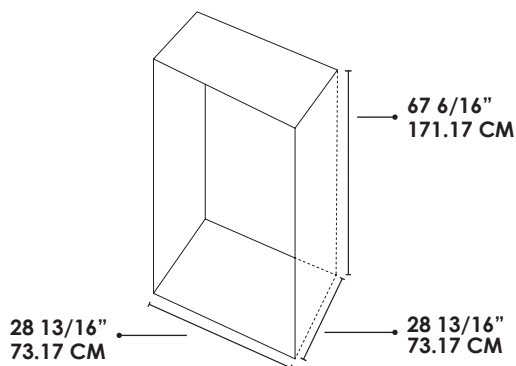
F15TFRESWW - WHITE
 F15TFRESSS - STAINLESS STEEL
 F15TFRESBB - BLACK

FORTÉ



POINT	DESCRIPTION	INCHES	CM
A	Actual Height	66 ² / ₁₆	168
B	Height Not Including Hinge	65 ³ / ₁₆	165.6
C	Actual Width	27 ⁹ / ₁₆	70
D	Actual Depth	27 ⁹ / ₁₆	70
E	Depth Excluding Doors	24 ⁷ / ₁₆	62
F	Depth with Door Open 90°	53 ⁶ / ₁₆	135.5

RECOMMENDED CUT-OUT DIMENSIONS



PLANNED DIMENSIONS

