

## 13.5 CU. FT. UPRIGHT FREEZER

F14UFESSS - STAINLESS STEEL / F14UFESWW - WHITE



### Product Dimensions

	Inches	CM
Actual Height	73	185.5
Height Not Including Hinge	72	182.9
Actual Width	27 <sup>15</sup> / <sub>16</sub>	71
Actual Depth	30 <sup>5</sup> / <sub>16</sub>	77
Depth Excluding Doors	24 <sup>9</sup> / <sub>16</sub>	62.4
Depth with Door Open 90°	53 <sup>7</sup> / <sub>16</sub>	135.7

### No Frost Technology

Prevents frost build-up on the inner walls, eliminating the need for periodic manual defrosting

### Multi Air Flow System

Optimizes consistent airflow and humidity levels to keep your food fresh

### Reversible Door

Set the door to open according to your preference whether it is from the left or the right

### Convertible

Conveniently convert between Refrigerator and Freezer, and Celcius and Fahrenheit

### Offered in 2 colors



Stainless Steel

White



# 13.5 CU.FT. UPRIGHT FREEZER

F14UFESS - STAINLESS STEEL  
F14UFESWW - WHITE

# FORTÉ



## CAPACITY

TOTAL CAPACITY 13.5 CU. FT. / 383 L

## TECHNICAL SPECIFICATIONS

ENERGY STAR CERTIFICATION	YES
VOLTS/HERTZ	115 VAC / 60 HZ
ELECTRICAL REQUIREMENTS	3-PRONG OUTLET
YEARLY ELECTRICITY USE	386 KWH
WEIGHT	170 LBS / 77.11 KG
WARRANTY	1 YEAR LIMITED PARTS & SERVICE

## INTERIOR FEATURES

CABINET LINER	WHITE
NUMBER OF SHELVES	5 GLASS
ADJUSTABLE SHELVES	NO
INTERIOR LIGHT	YES
ICE TRAY	1 STANDARD

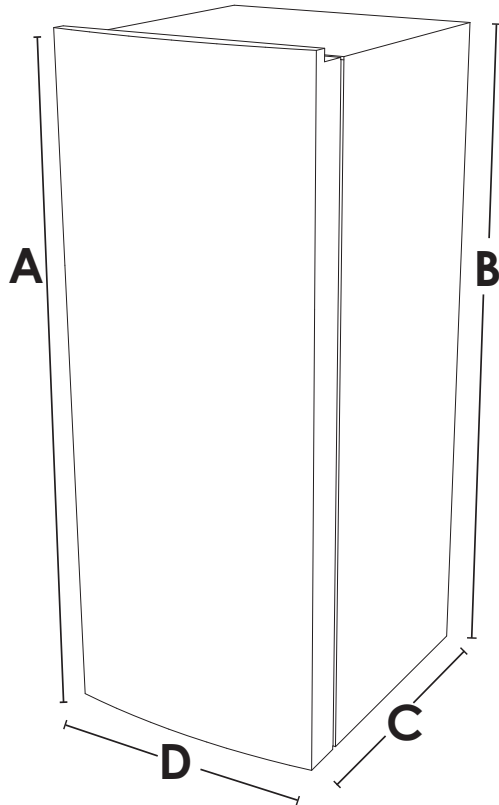
## EXTERIOR FEATURES

STYLE	SINGLE DOOR
BUILT-IN/FREESTANDING	FREESTANDING
DOOR SWING	REVERSIBLE
HANDLES	GRIP

# 13.5 CU.FT. UPRIGHT FREEZER

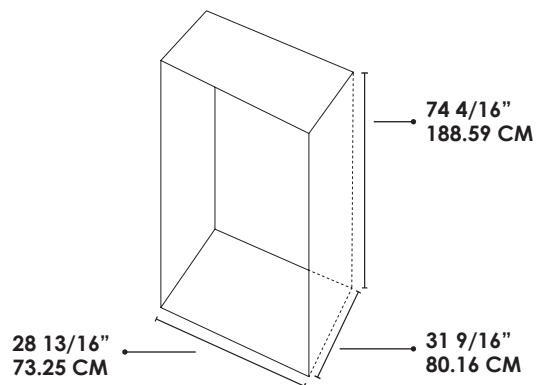
F14UFESSS - STAINLESS STEEL  
F14UFESWW - WHITE

# FORTÉ



POINT	DESCRIPTION	INCHES	CM
A	Actual Height	73	185.5
B	Height Not Including Hinge	72	182.9
C	Actual Width	27 <sup>15</sup> / <sub>16</sub>	71
D	Actual Depth	30 <sup>5</sup> / <sub>16</sub>	77
E	Depth Excluding Doors	24 <sup>9</sup> / <sub>16</sub>	62.4
F	Depth with Door Open 90°	53 <sup>7</sup> / <sub>16</sub>	135.7

## RECOMMENDED CUT-OUT DIMENSIONS



## PLANNED DIMENSIONS

