

# F3016MV2SS

2 Series 1.6 CU. FT. Over the Range Microwave

# FORTÉ

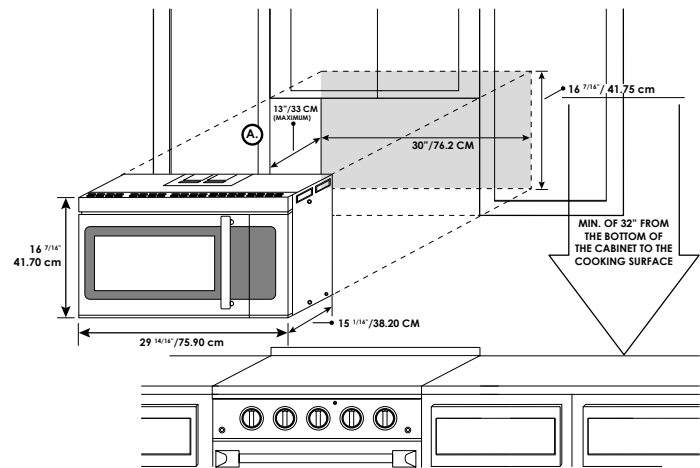
## DIMENSIONS AND INSTALLATION INFORMATION

### Electrical Notes:

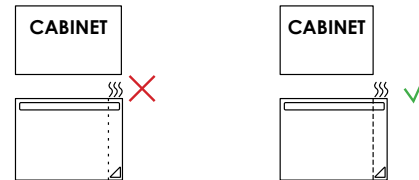
- This microwave oven requires a 120V 3-pronged grounded outlet. Do not use with an extension cord.

### Installation Notes:

- The mounting surface must be capable of supporting the cabinet load, in addition to the added weight of the microwave (50-60 lbs./ 22.7-27.21 kg) and maximum oven loads (50 lbs./ 22.7 kg); or a total maximum weight of 110 lbs. / 48.9 kg.
- This product cannot be installed in island or peninsula arrangements, it must be mounted to **both** a top cabinet **and** a wall.
- The space between the cabinets must be 30" (76.2 cm) wide and free of obstructions.
- When installing the microwave over a range, leave a minimum of 2" from the bottom of the microwave to the top of the range backguard for removal of the light covers.
- When installing the microwave oven beneath smooth flat cabinets, be careful to follow the instructions on the top cabinet template for power cord clearance.
- If you are going to vent your microwave oven to the outside, see **Hood Exhaust Section** for exhaust duct preparation.



**A.** If the cabinet depth including the cabinet doors is more than 13" / 33 cm then the unit must be spaced out from the wall using adequate materials supporting 150 lbs to allow proper top vent air exhaust/intake.



### Ventilation Options:

This microwave oven is designed for adaptation to three types of ventilation:

- A.** Outside Top Exhaust (Vertical Duct)
- B.** Outside Back Exhaust (Horizontal Duct)
- C.** Recirculating (Non-Vented Ductless)

Please note, this microwave is shipped for recirculating. To change ventilation method, view the appropriate section in the Installation Manual.

**Hood Exhaust Duct:** Outside ventilation requires an external exhaust duct. Read the following carefully.

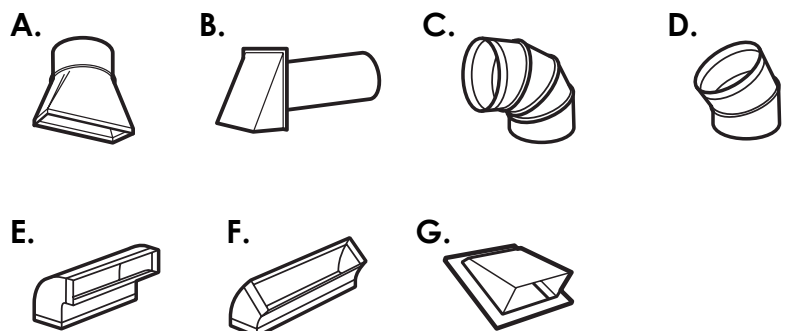
**Exhaust Connection:** The exhaust adaptor has been designed to mate with a standard 3 1/4" x 10" (8.2 x 25.4 cm) rectangular duct.

**Rear Exhaust:** If a rectangular-to-round transition adaptor is used, the bottom corners of the damper will have to be cut to fit, using the tin snips, in order to allow free movement of the damper.

**Maximum Duct Length:** For satisfactory air movement, the total duct length of 3 1/4" x 10" (8.2 x 25.4 cm) rectangular or 5" (10.5 cm) diameter/6" (15.2 cm) diameter round duct should not exceed 120 equivalent feet (36.5 m).

**Elbows, transitions, wall and roof caps, etc.,** present additional resistance to airflow and are equivalent to a section of straight duct which is longer than their actual physical size. When calculating the total duct length, add the equivalent lengths of all transitions and adaptors plus the length of all straight duct sections. The chart shows the approximate dimensions of some typical ducts.

DUCT	DIMENSIONS
<b>A.</b> Rectangular-to-Round Transition Adaptor	5 ft. / 1.5 m
<b>B.</b> Wall Cap	40 ft. / 12.2 m
<b>C.</b> 90° Elbow	10 ft. / 3 m
<b>D.</b> 45° Elbow	5 ft. / 1.5 m
<b>E.</b> 90° Elbow	25 ft. / 7.6 m
<b>F.</b> 45° Elbow	5 ft. / 1.5 m
<b>G.</b> Roof Cap	24 ft. / 7.3 m



Ventilation parts (elbows, transitions, roof caps, etc.) are not packaged with the microwave and must be purchased separately.

FORTÉ

forteappliances.com | support@forteappliances.com | 718-249-1215  
1870 Bath Avenue, Suite 3, Brooklyn, NY 11214

Spec sheets are subject to change without notice.  
For further questions and more detailed information, please visit forteappliances.com.