

## 18.3 CU. FT. TOP MOUNTED REFRIGERATOR

F18TFRESWW - WHITE / F18TFRESBB - BLACK / F18TFRESSS - STAINLESS STEEL



### Product Dimensions

	Inches	CM
Actual Height	66 <sup>5</sup> / <sub>16</sub>	168.5
Height Not Including Hinge	65 <sup>6</sup> / <sub>16</sub>	166
Actual Width	29 <sup>8</sup> / <sub>16</sub>	75
Actual Depth	30 <sup>15</sup> / <sub>16</sub>	78.6
Depth Excluding Doors	27 <sup>12</sup> / <sub>16</sub>	70.5
Depth with Door Open 90°	58 <sup>9</sup> / <sub>16</sub>	148.7

### No Frost Technology

Prevents frost build-up on the inner walls, eliminating the need for periodic manually defrosting

### 2 Spacious Drawers

The humidity-controlled drawers provide ample space for keeping food crisp

### Multi-Air Flow System

Optimizes consistent airflow and humidity levels to keep your food fresh

### Reversible Door

Set the door to open according to your preference whether it is from the left or the right

### Offered in 3 colors



Stainless  
Steel

White

Black



# 18.3 CU.FT. TOP MOUNT REFRIGERATOR

F18TFRESWW - WHITE  
F18TFRESBB - BLACK  
F18TFRESSS - STAINLESS STEEL

# FORTÉ



## CAPACITY

TOTAL CAPACITY	18.3 CU. FT. / 515 L
REFRIGERATION CAPACITY	13.6 CU. FT. / 386 L
FREEZER CAPACITY	4.56 CU. FT. / 129 L

## TECHNICAL SPECIFICATIONS

ENERGY STAR	YES
CERTIFICATION	UL
VOLTS/HERTZ	115 VAC / 60 HZ
ELECTRICAL REQUIREMENTS	3-PRONG OUTLET
YEARLY ELECTRICITY USE	358 KWH
WEIGHT	163 LBS / 73.94 KG
WARRANTY	1 YEAR LIMITED PARTS & SERVICE

## INTERIOR FEATURES

CABINET LINER	WHITE
NUMBER OF SHELVES	2 GLASS
ADJUSTABLE SHELVES	YES
INTERIOR LIGHT	YES
ICE TRAY	1 STANDARD

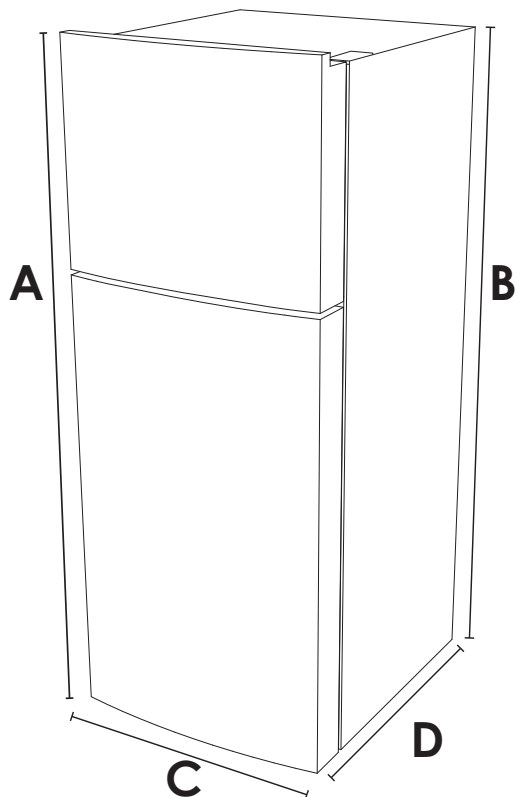
## EXTERIOR FEATURES

STYLE	TWO DOOR
BUILT-IN/FREESTANDING	FREESTANDING
DOOR SWING	REVERSIBLE
HANDLES	RECESSED

# 18.3 CU.FT. TOP MOUNT REFRIGERATOR

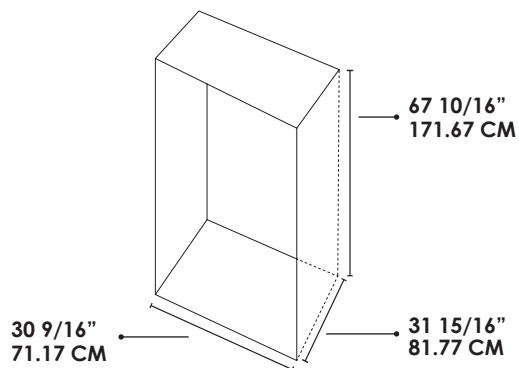
F18TFRESWW - WHITE  
F18TFRESBB - BLACK  
F18TFRESSS - STAINLESS STEEL

# FORTÉ



POINT	DESCRIPTION	INCHES	CM
A	Actual Height	66 <sup>5</sup> / <sub>16</sub>	168.5
B	Height Not Including Hinge	65 <sup>6</sup> / <sub>16</sub>	166
C	Actual Width	29 <sup>8</sup> / <sub>16</sub>	75
D	Actual Depth	30 <sup>15</sup> / <sub>16</sub>	78.6
E	Depth Excluding Doors	27 <sup>12</sup> / <sub>16</sub>	70.5
F	Depth with Door Open 90°	58 <sup>9</sup> / <sub>16</sub>	148.7

## RECOMMENDED CUT-OUT DIMENSIONS



## PLANNED DIMENSIONS

