

18.3 CU. FT. TOP MOUNTED REFRIGERATOR

F18TFRESSS - STAINLESS STEEL / F18TFRESWW - WHITE / F18TFRESBB - BLACK



Product Dimensions

| | Inches | CM |
|----------------------------|----------------------------------|-------|
| Actual Height | 66 ⁵ / ₁₆ | 168.5 |
| Height Not Including Hinge | 65 ⁶ / ₁₆ | 166 |
| Actual Width | 29 ⁸ / ₁₆ | 75 |
| Actual Depth | 30 ¹⁵ / ₁₆ | 78.6 |
| Depth Excluding Doors | 27 ¹² / ₁₆ | 70.5 |
| Depth with Door Open 90° | 58 ⁹ / ₁₆ | 148.7 |

No Frost Technology

Prevents frost build-up on the inner walls, eliminating the need for periodic manual defrosting

2 Spacious Drawers

The humidity-controlled drawers provide ample space for keeping food crisp

Multi-Air Flow System

Optimizes consistent airflow and humidity levels to keep your food fresh

Reversible Door

Set the door to open according to your preference whether it is from the left or the right

Offered in 3 colors



Stainless Steel



White



Black



18.3 CU.FT. TOP MOUNT REFRIGERATOR

F18TFRESSS - STAINLESS STEEL
F18TFRESWW - WHITE
F18TFRESBB - BLACK

FORTÉ



CAPACITY

| | |
|------------------------|-----------------------|
| TOTAL CAPACITY | 18.3 CU. FT. / 515 L |
| REFRIGERATION CAPACITY | 13. 6 CU. FT. / 386 L |
| FREEZER CAPACITY | 4.56 CU. FT. / 129 L |

TECHNICAL SPECIFICATIONS

| | |
|-------------------------|--------------------------------|
| ENERGY STAR | YES |
| CERTIFICATION | UL |
| VOLTS/HERTZ | 115 VAC / 60 HZ |
| ELECTRICAL REQUIREMENTS | 3-PRONG OUTLET |
| YEARLY ELECTRICITY USE | 358 KWH |
| WEIGHT | 163 LBS / 73.94 KG |
| WARRANTY | 1 YEAR LIMITED PARTS & SERVICE |

INTERIOR FEATURES

| | |
|--------------------|------------|
| CABINET LINER | WHITE |
| NUMBER OF SHELVES | 2 GLASS |
| ADJUSTABLE SHELVES | YES |
| INTERIOR LIGHT | YES |
| ICE TRAY | 1 STANDARD |

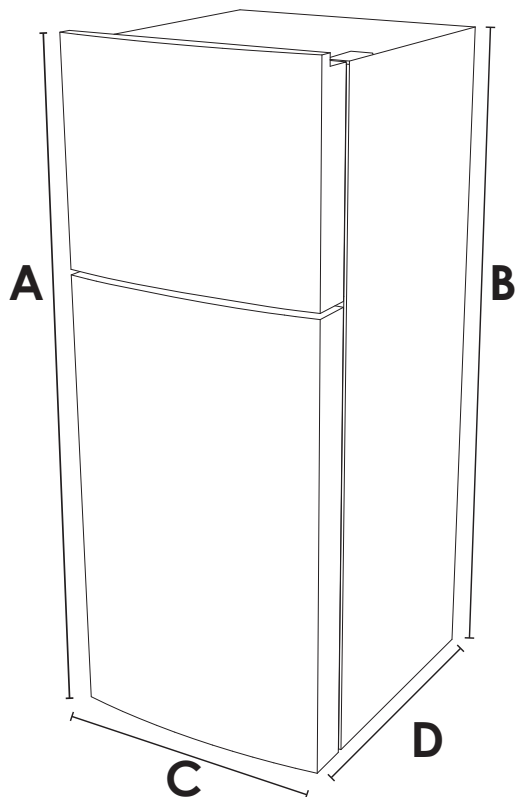
EXTERIOR FEATURES

| | |
|-----------------------|--------------|
| STYLE | TWO DOOR |
| BUILT-IN/FREESTANDING | FREESTANDING |
| DOOR SWING | REVERSIBLE |
| HANDLES | RECESSED |

18.3 CU.FT. TOP MOUNT REFRIGERATOR

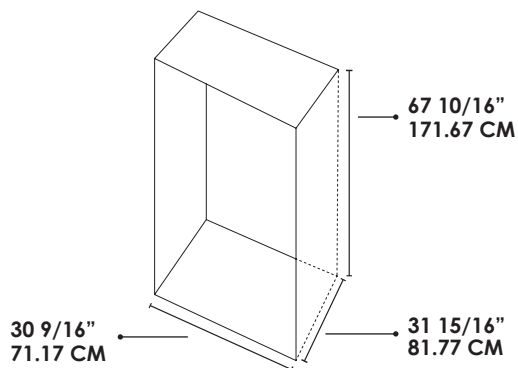
F18TFRESSS - STAINLESS STEEL
F18TFRESWW - WHITE
F18TFRESBB - BLACK

FORTÉ



| POINT | DESCRIPTION | INCHES | CM |
|-------|----------------------------|----------------------------------|-------|
| A | Actual Height | 66 ⁵ / ₁₆ | 168.5 |
| B | Height Not Including Hinge | 65 ⁶ / ₁₆ | 166 |
| C | Actual Width | 29 ⁸ / ₁₆ | 75 |
| D | Actual Depth | 30 ¹⁵ / ₁₆ | 78.6 |
| E | Depth Excluding Doors | 27 ¹² / ₁₆ | 70.5 |
| F | Depth with Door Open 90° | 58 ⁹ / ₁₆ | 148.7 |

RECOMMENDED CUT-OUT DIMENSIONS



PLANNED DIMENSIONS

